



ISO 9001:2015 Certified

SAHYADRI ELECTRO CONTROLS (I) PVT. LTD.

SECO




DC FAILURE ALARM RELAY

(TYPE NO. SRV 113/W)

10, VINAY COMPLEX, 1ST CROSS, RAJGOPAL NAGAR MAIN ROAD, GANAPATHI NAGAR,
PEENYA III PHASE, BANGALORE – INDIA - 560058

Mail: mkt@secoindia.co.in & sales@secoindia.co.in, Web: www.secoindia.co.in



SAHYADRI (SECO) make **DC Failure Alarm Relay – 96 Sq. mm series** is designed to monitor the DC supply / station battery voltages used in Battery charging panels and Control panels. When DC supply fails and need the attention of the operators in the substations, DC failure relay gives Indication. Microcontroller based design with advance technology & field proven model is available for all types of fields and environmental conditions.

FEATURES:-

- Static design
- DC failure indication by high bright LED window
- DC & AC supply present indication by LED
- Built-in Test & Accept push buttons
- Suitable for wide range of dc supply
- Two C/O output contacts
- High barrier with shrouded connectors for easy & safety terminations


APPLICATION:-

- Battery charger panels
- Control & Relay panels
- Suitable for 11 KV switchgear/feeder DC failure indications
- DC monitoring circuits

WORKING PRINCIPLE:-

The DC Failure Alarm unit is fed with both DC & AC supply to monitor the DC supply. When DC supply fails, unit gives window indication along with output Relay contacts. The output Relay will have two Change over contacts for Tripping or remote applications.

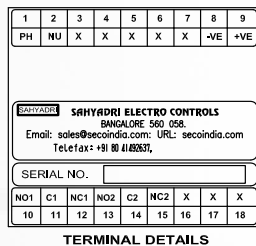
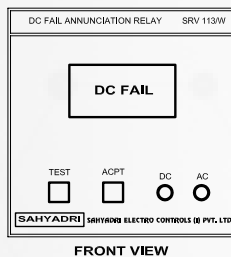
When accept push button is pressed, output relay contacts changes & window remains glowing. After the DC supply restores, window is auto resettable. When Test push button is pressed, 'DC FAIL' window starts glowing along with output contacts.



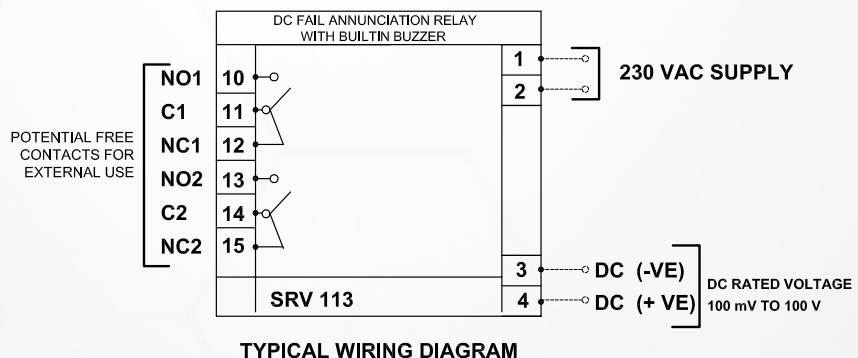
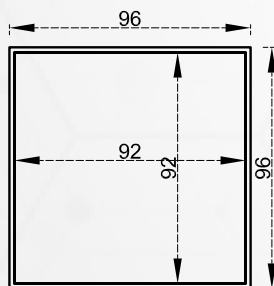
TECHNICAL SPECIFICATION: -

- **Input DC Supply:** 24, 30, 110, 220V DC (common unit)
- **Input AC Supply:** 230V AC +/- 20%
- **Window:** DC Fail indication
- **Indication:** DC & AC present indication by LED
- **Response time:** Less than 100 m Sec (Indication & alarm when DC fails)
- **Enclosure:** ABS Plastic cover Output Relay contacts
- **Output relay contacts:** 2 C/O Contacts
- **Contact rating:** 5A at 230V AC/30V DC
- **Mounting Type:** Flush mounting
- **Panel cutout:** 92 X 92 mm
- **Front Facia:** 96(H) x 96 (W) mm
- **Depth:** 95 mm

WIRING AND PANEL CUTOUT DIAGRAM



INDEX	
TER. NO	DESCRIPTION
1 & 2 (PH & NU)	230 VAC AUXILLIARY SUPPLY
8 & 9 (-VE & +VE)	RATED DC SUPPLY 100mV TO 100 V
DC FAIL PICK UP AND DROP OFF VALUE	
PICK UP	DROP OFF
< OR = 100 mVOLTS	> OR = 110 mVOLTS
< OR = 100 VOLTS	< OR = 95 VOLTS



ALL DIMENSIONS ARE IN MM.

DRAWN BY	HSV	REV. NO.	0	ISSUED ON	28.07.20		DRAWING TITLE: APPLICATION DIAGRAM OF DC FAIL ANNUNCIATION RELAY & MULTIPLE VOLTAGE SELECTION	DRG NO.	SECO/AD/SRV113 W	SH.NO	01	SECO
APPD. BY	BSM			DRAWN ON	28.07.20					CONTD.	-	

SIDE VIEW



BACK VIEW



SAHYADRI®

ISO 9001:2015 Certified



No 10, Vinay Complex, 1st Cross, Rajgopal nagar Main Road,
Ganapati Nagar, Peenya 3rd Phase,
Bangalore-560058

080-4149 2637 / +91 9035048537 / +91 9448408537 / +91 9980544028

After Sales / Service : +91 9606040824

mkt@secoindia.co.in / sales@secoindia.co.in / manjunatha@secoindia.co.in