



ISO 9001:2015 Certified

SAHYADRI ELECTRO CONTROLS (I) PVT. LTD.

SECO



TRIP CIRCUIT SUPERVISION RELAY (TYPE: SRV 114)

10, VINAY COMPLEX, 1ST CROSS, RAJGOPAL NAGAR MAIN ROAD, GANAPATHI NAGAR,
PEENYA III PHASE, BANGALORE – INDIA - 560058

Mail: mkt@secoindia.co.in & sales@secoindia.co.in, Web: www.secoindia.co.in

SAHYADRI (SECO) make **Trip Circuit Supervision Relay** is designed with Microcontroller based advance technology with pre-supervision and post-supervision of circuit Breakers. This unit checks the coil healthiness and is a field proven model for all types of field and environmental conditions.

FEATURES:-

- Advanced high speed Microcontroller with reliability and accuracy
- Continuous supervision of Trip circuit
- Low supervision current
- Operation delay to avoid spurious signals
- Galvanic isolation between Aux. supply and supervision current
- Indication by high bright LED
- Test facility
- Low burden on Aux. supply

WORKING PRINCIPLE:-

The unit drives the small current through the Breaker Trip coil and monitor it continuously. If there is any failure of Trip coil or Trip circuit breakage (cable faulty or loose contact), the Relay will sense and operate the output contacts. The delay about 400 m Sec is introduced to avoid the false indication during circuit breaker operation. The output contacts are used interlock the breaker operation and Annunciation. The Test push button is provided to ensure the function of the unit and output contacts.

TECHNICAL SPECIFICATION:-

- **Aux. supply:** 1) 10 to 18V DC 2) 20 to 150V DC 3) 75 to 275V AC/DC
- **Rated voltage:** 24, 30, 48, 110, 220, and 250V DC
- **Operating voltage range:** 80 to 110% of rated voltage
- **Sensing current:** > 8 m Amps
- **Output Contact:** 2 sets of change over contacts + 1 NO contact for Trip & Alarm
- **Output contact Rating:** 10A@30V DC/ 230V AC resistive load (make & carry)
- **Enclosure:** ABS plastic
- **Box Size:** 96 Sq. mm
- **Panel cutout:** 92 x 92 mm
- **Depth:** 120mm

Standard Compliance: -

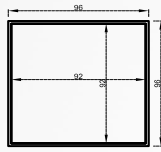
- Accuracy : IEC 60255-3
- Insulation: IEC 60255-5

WIRING AND PANEL CUTOUT DRAWING

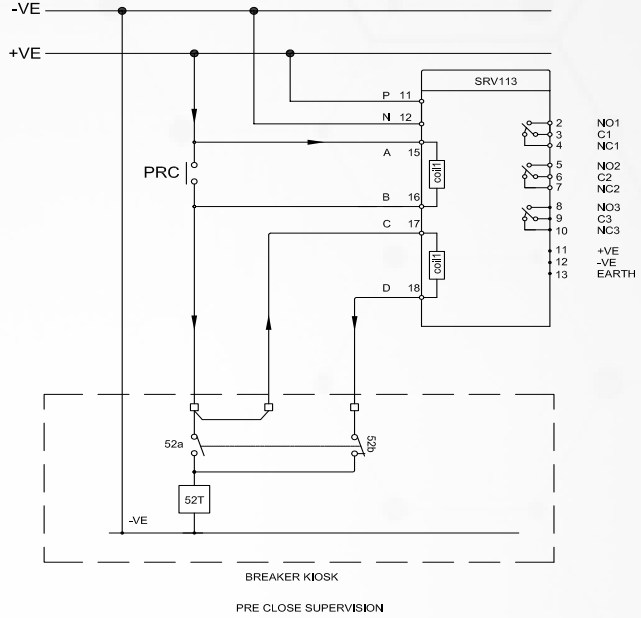
1	2	3	4	5	6	7	8	9	10
X	NO1	C1	NC1	NO2	C2	NC2	NO3	C3	NC3

SECO SAHYADRI ELECTRO CONTROLS (PVT. LTD)	
PRODUCT	TRIP CIRCUIT SUPERVISION RELAY
TYPE / ART	SRV114/
AUX. VOLT.	24VDC <input type="checkbox"/> 30VDC <input type="checkbox"/> 110VDC <input type="checkbox"/> 220VDC <input type="checkbox"/>

P	N	E	X	A	B	C	D
11	12	13	14	15	16	17	18

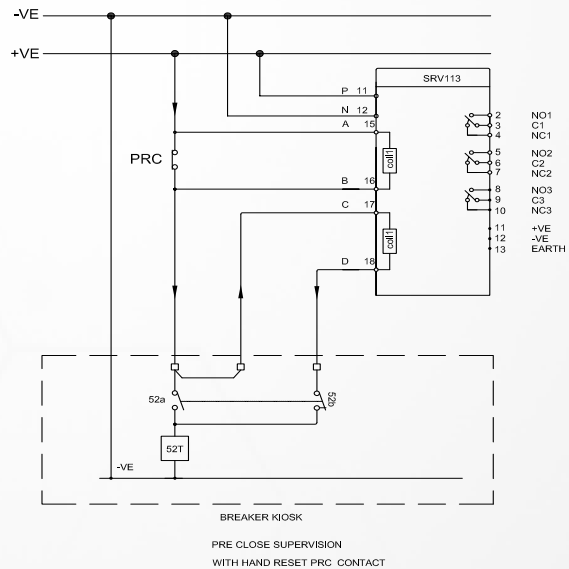
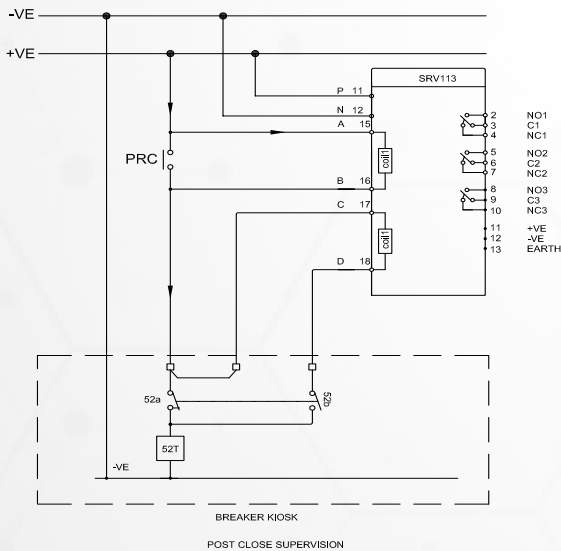


INDEX	
TER. NO	DESCRIPTION
2	NO1 RELAY-1
3	C1 HEAVY DUTY CONTACTS
4	NC1
5	NO2 RELAY-2
6	C2
7	NC2
8	NO3 RELAY-3
9	C3
10	NC3
11 & 12	AUX. SUPPLY
13	EARTH
15, 16	CB TRIP CKT
17, 18	SUPERVISION



ALL DIMENSIONS ARE IN MM.

DRAWN BY	HSV	REV. NO.	0	ISSUED ON	01.03.12		DRAWING TITLE:	APPLICATION DIAGRAM OF TCSR	DRG. NO.	SECO/AD/SRV114	SH.NO	01	SECO
APPD. BY	BSM			DRAWN ON	01.03.12						CONTD.	02	



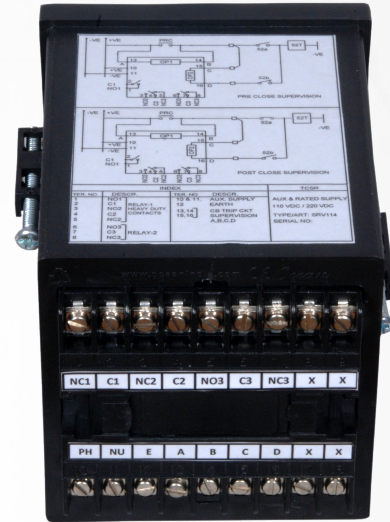
ALL DIMENSIONS ARE IN MM.

DRAWN BY	HSV	REV. NO.	0	ISSUED ON	01.03.12		DRAWING TITLE:	APPLICATION DIAGRAM OF TCSR	DRG. NO.	SECO/AD/SRV114	SH.NO	02	SECO
APPD. BY	BSM			DRAWN ON	01.03.12						CONTD.	-	

SIDE VIEW



BACK VIEW



SAHYADRI®

ISO 9001:2015 Certified



No 10, Vinay Complex, 1st Cross, Rajgopal nagar Main Road,
Ganapati Nagar, Peenya 3rd Phase,
Bangalore-560058

080-4149 2637 / +91 9035048537 / +91 9448408537 / +91 9980544028

After Sales / Service : +91 9606040824

mkt@secoindia.co.in / sales@secoindia.co.in / manjunatha@secoindia.co.in